

**Modular Jack**

**SPECIFICATIONS**

**Mechanical**

**Mating Force:** 4.5Pounds max.(RJ45) 7.7Pounds max.(USB)  
**Unmating Force:** 4.5Pounds max.(RJ45) 2.2Pounds min.(USB)  
**Durability:** 1000 Cycles(RJ45) 1500 Cycles(USB)

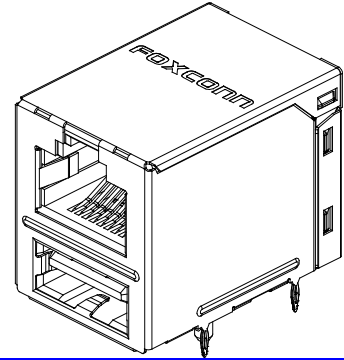
**Electrical**

**Current Rating:** 1.5A max.(RJ45) 1.0A(USB)  
**Dielectric Withstanding Voltage:** 1000V(RJ45) 500V(USB)

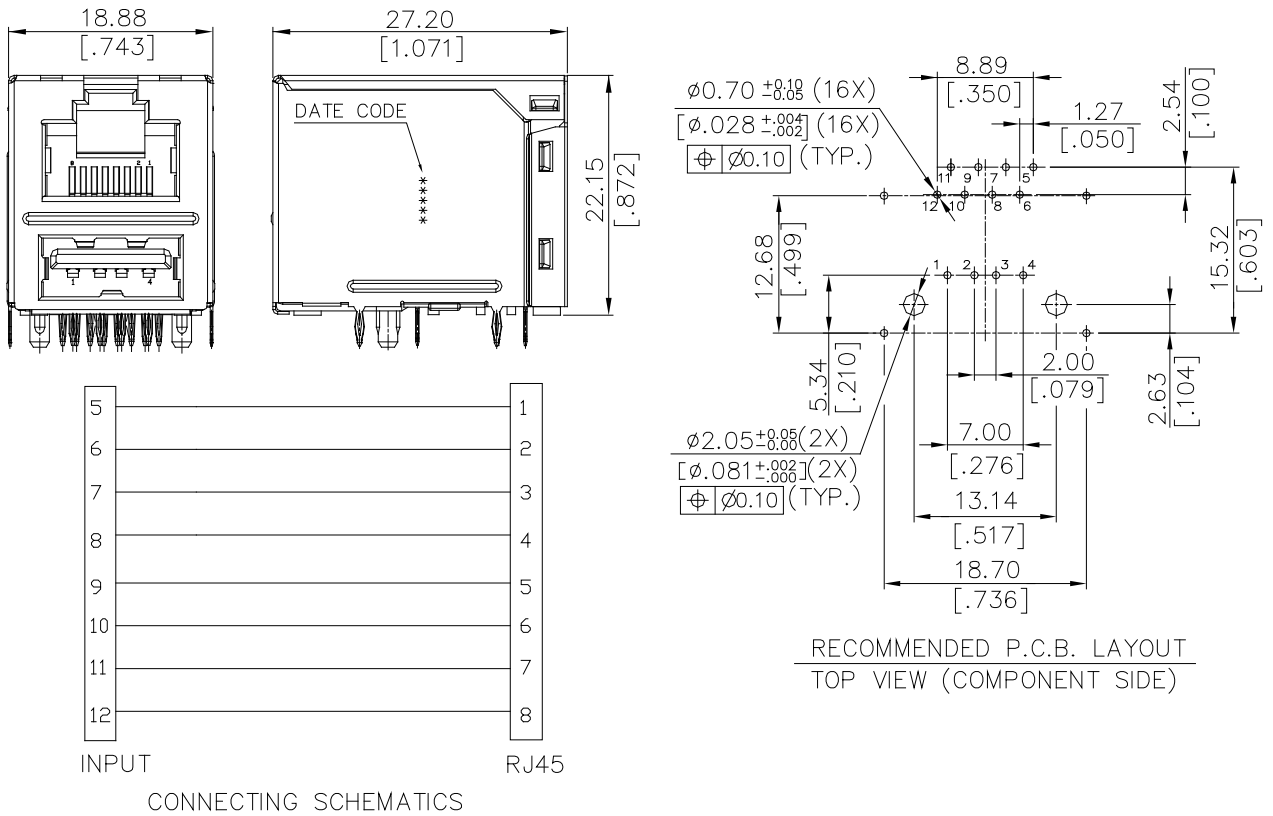
**Physical**

**Housing:** Thermoplastic, UL 94V-0 rated in Black Color  
**Contact:** Copper Alloy  
**Shell:** Stainless Steel,  
**Operating Temperature:** -40°C to +85°C

**UB Serie**  
**RJ45 Over Single USB**  
**R/A, Press-Fit Type**  
**1. 27mm [.050"] Pitch**  
**PCB Thickness :**  
**1.57mm [.062"]**



**DRAWING**



**ORDERING INFORMATION**

PRODUCT NO.: U B 1 1 1 2 3 - LP01 - 4 F

